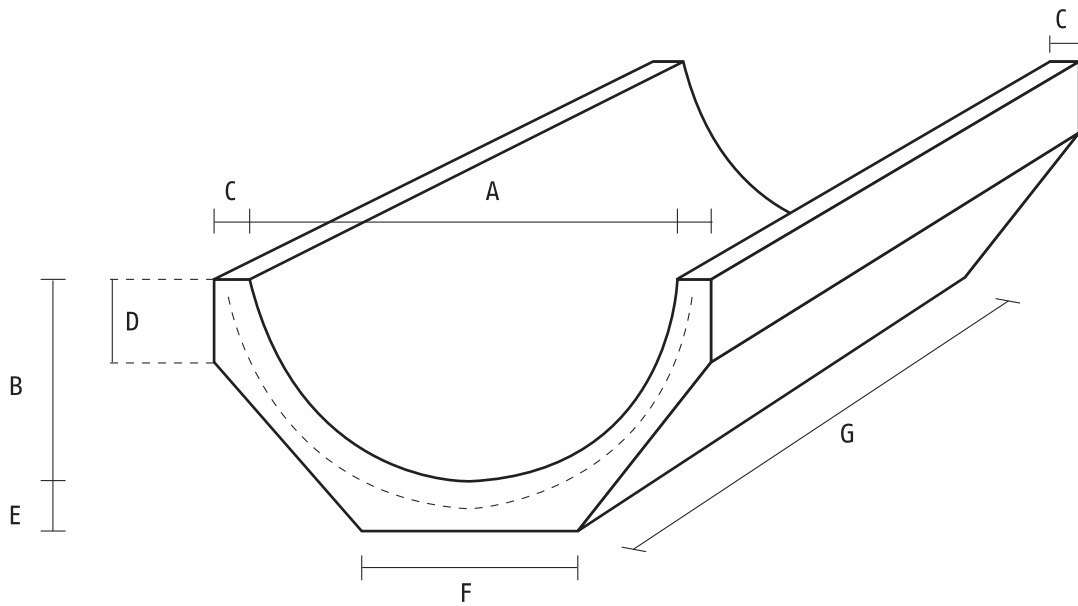


# PRECAST CONCRETE BLOCK DRAINS



## PRECAST CONCRETE HALF ROUND DRAIN

NOMINAL SIZE (mm)	A (mm)	B (mm)	C (mm)	D (mm)	E (mm)	F (mm)	G (mm)	BRC NO. (mm)
225	225	112.5	30	55	30	115	750	-
300	300	150	35	80	35	140	600	-
375	375	187.5	35	100	40	190	600	-
450	450	225	50	130	50	230	600	610
600	600	300	55	140	55	290	600	610

\*Concrete Grade – 20N/mm<sup>2</sup>

\*Specifications are subject to change without prior notice.



坚合灰料有限公司  
SOLID-MIX CEMENT WORKS SDN. BHD. (817035-T)

坚合灰料工业(马)有限公司  
S-MIX CONCRETE INDUSTRIES (M) SDN. BHD. (572101-V)

Office: 26, Jalan Duyong, Kampung Jambatan Duyong, 75460 Melaka. Tel: 06-2672 202 / 2689 633 Fax: 06-2680 373 Email: smcwsb@hotmail.my  
Factory: Lot 564 & PT 3689, Mukim Cheng, 75250 Melaka. H/P: 012-611 0204 / 016-662 8513 Email: smixconc@hotmail.my