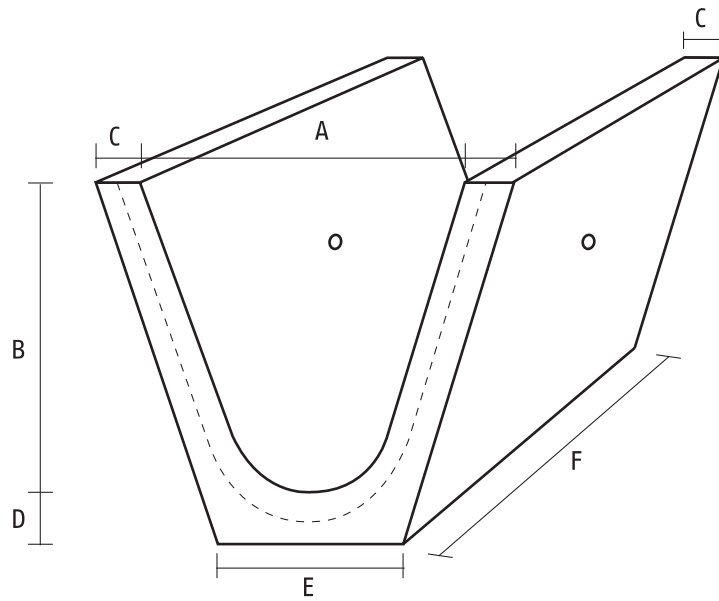


PRECAST CONCRETE BLOCK DRAINS



PRECAST CONCRETE JKR V SHAPE DRAIN

NOMINAL SIZE (mm)	A (mm)	B (mm)	C (mm)	D (mm)	E (mm)	F (mm)
300 x 300	300	300	65	75	180	600
375 x 375	375	375	75	90	240	600
450 x 450	450	450	75	90	300	600
600 x 600	600	600	75	100	355	600

*Reinforced with BRC 65/A5

*Concrete Grade – 25N/mm²

*Specifications are subject to change without prior notice.



坚合灰料有限公司
SOLID-MIX CEMENT WORKS SDN. BHD. (817035-T)

坚合灰料工业(马)有限公司
S-MIX CONCRETE INDUSTRIES (M) SDN. BHD. (572101-V)

Office: 26, Jalan Duyong, Kampung Jambatan Duyong, 75460 Melaka. Tel: 06-2672 202 / 2689 633 Fax: 06-2680 373 Email: smcwsb@hotmail.my
Factory: Lot 564 & PT 3689, Mukim Cheng, 75250 Melaka. H/P: 012-611 0204 / 016-662 8513 Email: smixconc@hotmail.my