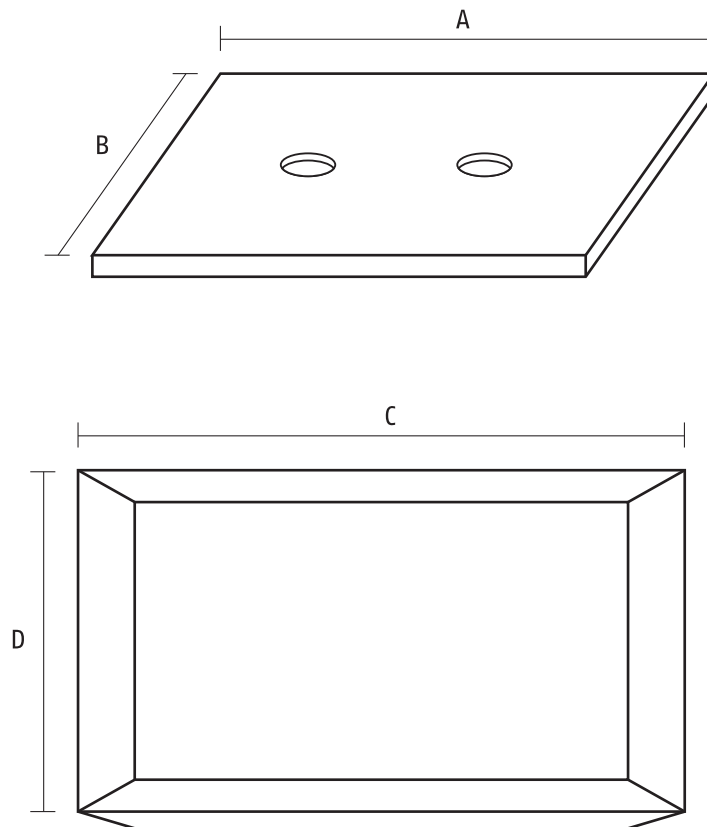


PRECAST CONCRETE MANHOLE COVER



NOMINAL SIZE (mm)	A (mm)	B (mm)	C (mm)	D (mm)
425 X 525	525	425	625	525

*Concrete Grade – 20N/mm²

*Specifications are subject to change without prior notice.