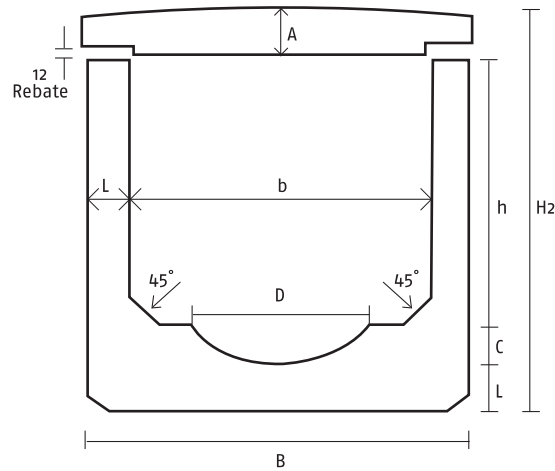


STANDARD SIZE BOX CULVERTS WITH DRY WEATHER FLOW



Standard Size Box Culverts with Dry Weather Flow

NOMINAL SIZE	COMMON DIMENSIONS					U-SECTION WITH DWF		
b x h (mm)	A (mm)	B (mm)	b (mm)	h (mm)	L (mm)	H2 (mm)	C (mm)	D (mm)
300 x 300	100	450	300	300	75	530	70	140
375 x 375	100	505	375	440	75	605	70	140
450 x 450	100	600	450	450	75	690	80	300
600 x 300	140	750	600	300	75	578	75	450
600 x 450	140	750	600	450	75	728	75	450
600 x 600	140	750	600	600	75	878	75	450
750 x 450	140	910	750	450	80	733	75	450
750 x 600	140	910	750	600	80	883	75	450
750 x 750	140	910	750	750	80	1033	75	450
900 x 450	150	1080	900	450	90	753	75	450
900 x 600	150	1080	900	600	90	903	75	450
900 x 750	150	1080	900	750	90	1053	75	450
900 x 900	150	1080	900	900	90	1203	75	450

*Concrete Grade - 40N/mm²

*Standard Length - 1m

*Specifications are subject to change without prior notice.

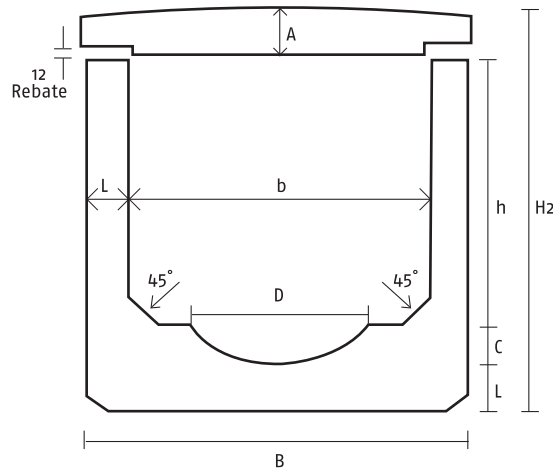


坚合灰料有限公司
SOLID-MIX CEMENT WORKS SDN. BHD. (817035-T)

坚合灰料工业(马)有限公司
S-MIX CONCRETE INDUSTRIES (M) SDN. BHD. (572101-V)

Office: 26, Jalan Duyong, Kampung Jambatan Duyong, 75460 Melaka. Tel: 06-2672 202 / 2689 633 Fax: 06-2680 373 Email: smcwsb@hotmail.my
Factory: Lot 564 & PT 3689, Mukim Cheng, 75250 Melaka. H/P: 012-611 0204 / 016-662 8513 Email: smixconc@hotmail.my

STANDARD SIZE BOX CULVERTS WITH DRY WEATHER FLOW



Standard Size Box Culverts with Dry Weather Flow

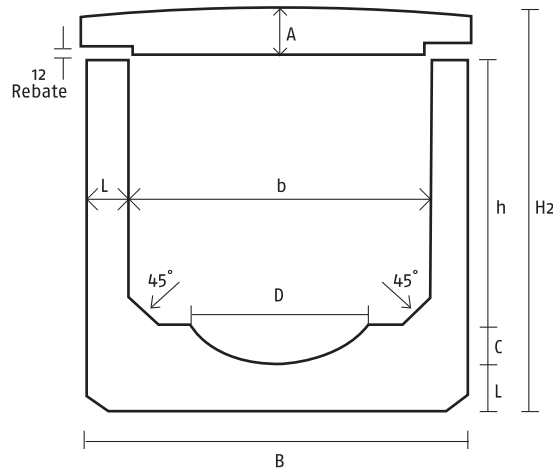
NOMINAL SIZE	COMMON DIMENSIONS					U-SECTION WITH DWF		
	b x h (mm)	A (mm)	B (mm)	b (mm)	h (mm)	L (mm)	H2 (mm)	C (mm)
1200 X 600	150	1400	1200	600	100	1063	225	1075
1200 X 750	150	1400	1200	750	100	1213	225	1075
1200 X 900	150	1400	1200	900	100	1363	225	1075
1200 X 1050	150	1400	1200	1050	100	1513	225	1075
1200 X 1200	150	1400	1200	1200	100	1663	225	1075
1500 X 600	180	1720	1500	600	110	1103	225	1075
1500 X 750	180	1720	1500	750	110	1253	225	1075
1500 X 900	180	1720	1500	900	110	1403	225	1075
1500 X 1050	180	1720	1500	1050	110	1553	225	1075
1500 X 1200	180	1720	1500	1200	110	1703	225	1075
1500 X 1350	180	1720	1500	1350	110	1853	225	1075
1500 X 1500	180	1720	1500	1500	110	2003	225	1075

*Concrete Grade - 40N/mm²

*Standard Length - 1m

*Specifications are subject to change without prior notice.

STANDARD SIZE BOX CULVERTS WITH DRY WEATHER FLOW



Standard Size Box Culverts with Dry Weather Flow

NOMINAL SIZE	COMMON DIMENSIONS					U-SECTION WITH DWF		
	b x h (mm)	A (mm)	B (mm)	b (mm)	h (mm)	L (mm)	H2 (mm)	C (mm)
1800 x 750	185	2040	1800	750	120	1268	225	1075
1800 x 900	185	2040	1800	900	120	1418	225	1075
1800 x 1050	185	2040	1800	1050	120	1568	225	1075
1800 x 1200	185	2040	1800	1200	120	1718	225	1075
1800 x 1350	185	2040	1800	1350	120	1868	225	1075
1800 x 1500	185	2040	1800	1500	120	2018	225	1075
1800 x 1650	185	2040	1800	1650	120	2168	225	1075
1800 x 1800	185	2040	1800	1800	120	2318	225	1075

*Concrete Grade - 40N/mm²

*Standard Length - 1m

*Specifications are subject to change without prior notice.



坚合灰料有限公司
SOLID-MIX CEMENT WORKS SDN. BHD. (817035-T)

坚合灰料工业(马)有限公司
S-MIX CONCRETE INDUSTRIES (M) SDN. BHD. (572101-V)

Office: 26, Jalan Duyong, Kampung Jambatan Duyong, 75460 Melaka. Tel: 06-2672 202 / 2689 633 Fax: 06-2680 373 Email: smcwsb@hotmail.my
Factory: Lot 564 & PT 3689, Mukim Cheng, 75250 Melaka. H/P: 012-611 0204 / 016-662 8513 Email: smixconc@hotmail.my