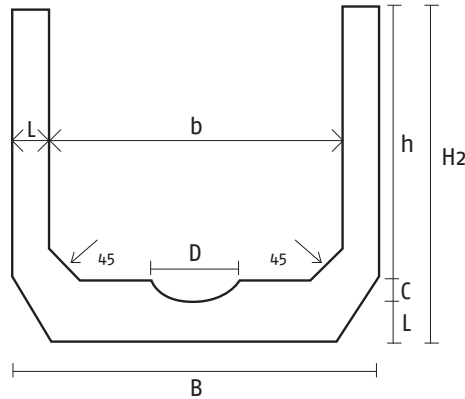


STANDARD SIZE U-DRAINS WITH DRY WEATHER FLOW



Standard Size U-Drains with Dry Weather Flow

NOMINAL SIZE	COMMON DIMENSIONS				U-DRAIN WITH DWF		
	b x h (mm)	B (mm)	b (mm)	h (mm)	L (mm)	H ₂ (mm)	C (mm)
300 x 300	400	300	300	50	430	70	140
375 x 375	505	375	375	65	505	70	140
450 x 450	550	450	450	50	590	80	300
450 x 450	600	450	450	75	590	80	300
600 x 300	750	600	300	75	455	80	300
600 x 450	750	600	450	75	605	80	300
600 x 600	750	600	600	75	755	80	300
750 x 300	910	750	300	80	460	80	375
750 x 450	910	750	450	80	610	80	375
750 x 600	910	750	600	80	760	80	375
750 x 750	910	750	750	80	910	80	375
900 x 300	1080	900	300	90	470	80	450
900 x 450	1080	900	450	90	620	80	450
900 x 600	1080	900	600	90	770	80	450
900 x 750	1080	900	750	90	920	80	450
900 x 900	1080	900	900	90	1070	80	450

*Concrete Grade - 30N/mm²

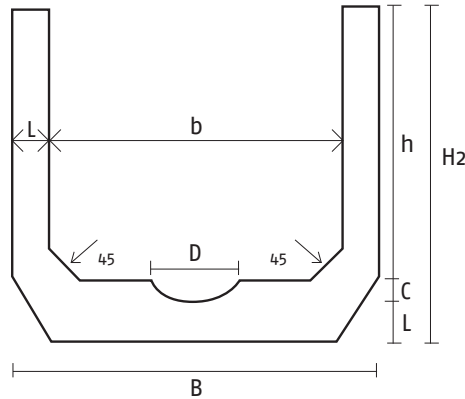
S-Mix 'U' Shape Open Drains varies in size from 300mm width x 300mm height to 3600mm width x 3600mm height.

S-Mix Reinforced Concrete Open Drain incorporates a dry weather flow section.

Standard Length - 1m

*Specifications are subject to change without prior notice.

STANDARD SIZE U-DRAINS WITH DRY WEATHER FLOW



Standard Size U-Drains with Dry Weather Flow

NOMINAL SIZE	COMMON DIMENSIONS				U-DRAIN WITH DWF		
	b x h (mm)	B (mm)	b (mm)	h (mm)	L (mm)	H ₂ (mm)	C (mm)
1200 X 300	1400	1200	300	100	625	225	1075
1200 X 450	1400	1200	450	100	775	225	1075
1200 X 600	1400	1200	600	100	925	225	1075
1200 X 750	1400	1200	750	100	1075	225	1075
1200 X 900	1400	1200	900	100	1225	225	1075
1200 X 1050	1400	1200	1050	100	1375	225	1075
1200 X 1200	1400	1200	1200	100	1525	225	1075
1500 X 600	1720	1500	600	110	935	225	1075
1500 X 750	1720	1500	750	110	1085	225	1075
1500 X 900	1720	1500	900	110	1235	225	1075
1500 X 1050	1720	1500	1050	110	1385	225	1075
1500 X 1200	1720	1500	1200	110	1535	225	1075
1500 X 1350	1720	1500	1350	110	1685	225	1075
1500 X 1500	1720	1500	1500	110	1835	225	1075

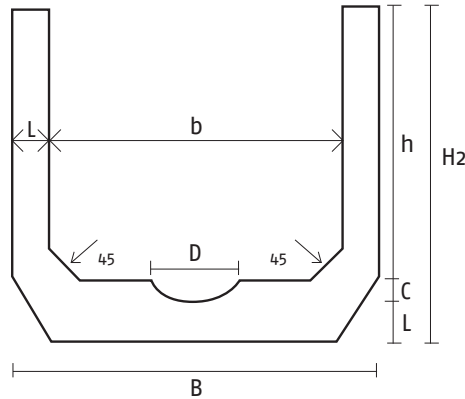
*Concrete Grade - 30N/mm²

S-Mix 'U' Shape Open Drains varies in size from 300mm width x 300mm height to 3600mm width x 3600mm height.
S-Mix Reinforced Concrete Open Drain incorporates a dry weather flow section.

Standard Length - 1m

*Specifications are subject to change without prior notice.

STANDARD SIZE U-DRAINS WITH DRY WEATHER FLOW



Standard Size U-Drains with Dry Weather Flow

NOMINAL SIZE	COMMON DIMENSIONS				U-DRAIN WITH DWF		
	b x h (mm)	B (mm)	b (mm)	h (mm)	L (mm)	H ₂ (mm)	C (mm)
1800 x 600	2040	1800	600	120	945	225	1075
1800 x 750	2040	1800	750	120	1095	225	1075
1800 x 900	2040	1800	900	120	1245	225	1075
1800 x 1050	2040	1800	1050	120	1395	225	1075
1800 x 1200	2040	1800	1200	120	1545	225	1075
1800 x 1350	2040	1800	1350	120	1695	225	1075
1800 x 1500	2040	1800	1500	120	1845	225	1075
1800 x 1650	2040	1800	1650	120	1995	225	1075
1800 x 1800	2040	1800	1800	120	2145	225	1075

*Concrete Grade - 30N/mm²

S-Mix 'U' Shape Open Drains varies in size from 300mm width x 300mm height to 3600mm width x 3600mm height.
S-Mix Reinforced Concrete Open Drain incorporates a dry weather flow section.

Standard Length - 1m

*Specifications are subject to change without prior notice.