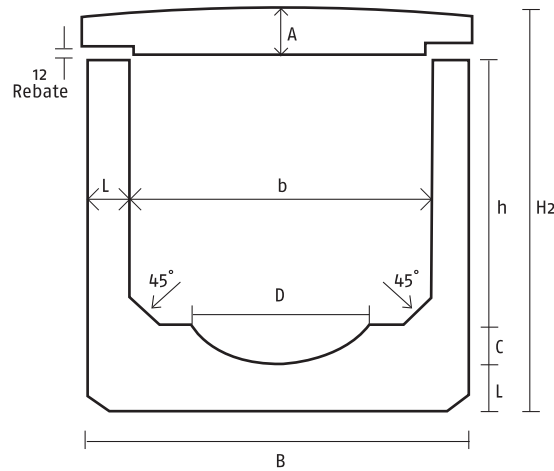


SUPER SIZE BOX CULVERTS WITH DRY WEATHER FLOW



Super Size Box Culverts with Dry Weather Flow

NOMINAL SIZE	COMMON DIMENSIONS					U-SECTION WITH DWF		
b x h (mm)	A (mm)	B (mm)	b (mm)	h (mm)	L (mm)	H2 (mm)	C (mm)	D (mm)
2100 X 1200	252	2460	2100	1200	180	1845	225	1075
2100 X 1500	252	2460	2100	1500	180	2145	225	1075
2100 X 1800	252	2460	2100	1800	180	2445	225	1075
2100 X 2100	252	2460	2100	2100	180	2745	225	1075
2400 X 1200	252	2760	2400	1200	180	1845	225	1075
2400 X 1500	252	2760	2400	1500	180	2145	225	1075
2400 X 1800	252	2760	2400	1800	180	2445	225	1075
2400 X 2100	252	2760	2400	2100	180	2745	225	1075
2400 X 2400	252	2760	2400	2400	180	3045	225	1075

*Concrete Grade - 40N/mm²

*Standard Length - 1m

*Specifications are subject to change without prior notice.

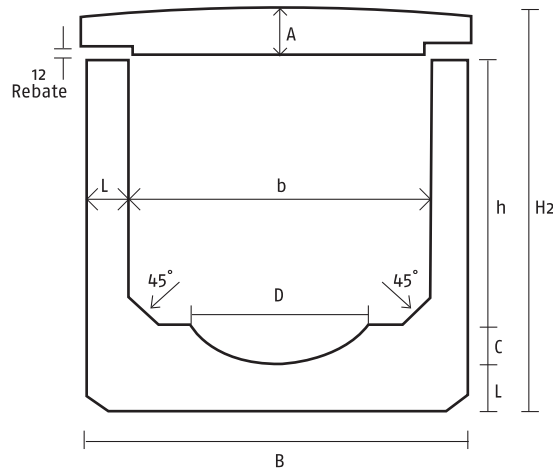


坚合灰料有限公司
SOLID-MIX CEMENT WORKS SDN. BHD. (817035-T)

坚合灰料工业(马)有限公司
S-MIX CONCRETE INDUSTRIES (M) SDN. BHD. (572101-V)

Office: 26, Jalan Duyong, Kampung Jambatan Duyong, 75460 Melaka. Tel: 06-2672 202 / 2689 633 Fax: 06-2680 373 Email: smcwsb@hotmail.my
Factory: Lot 564 & PT 3689, Mukim Cheng, 75250 Melaka. H/P: 012-611 0204 / 016-662 8513 Email: smixconc@hotmail.my

SUPER SIZE BOX CULVERTS WITH DRY WEATHER FLOW



Super Size Box Culverts with Dry Weather Flow

NOMINAL SIZE	COMMON DIMENSIONS					U-SECTION WITH DWF		
	b x h (mm)	A (mm)	B (mm)	b (mm)	h (mm)	L (mm)	H2 (mm)	C (mm)
2700 X 1500	252	3060	2700	1500	180	2145	225	1075
2700 X 1800	252	3060	2700	1800	180	2445	225	1075
2700 X 2100	252	3060	2700	2100	180	2745	225	1075
2700 X 2400	252	3060	2700	2400	180	3045	225	1075
2700 X 2700	252	3060	2700	2700	180	3345	225	1075
3000 X 1500	252	3360	3000	1500	180	2145	225	1075
3000 X 1800	252	3360	3000	1800	180	2445	225	1075
3000 X 2100	252	3360	3000	2100	180	2745	225	1075
3000 X 2400	252	3360	3000	2400	180	3045	225	1075
3000 X 2700	252	3360	3000	2700	180	3345	225	1075
3000 X 3000	252	3360	3000	3000	180	3645	225	1075

*Concrete Grade - 40N/mm²

*Standard Length - 1m

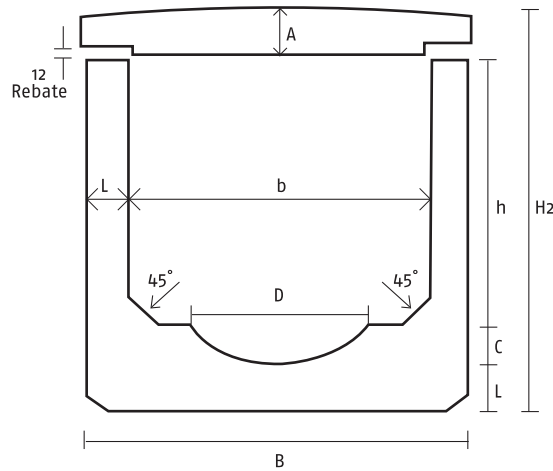
*Specifications are subject to change without prior notice.

 坚合灰料有限公司
SOLID-MIX CEMENT WORKS SDN. BHD. (817035-T)

坚合灰料工业(马)有限公司
S-MIX CONCRETE INDUSTRIES (M) SDN. BHD. (572101-V)

Office: 26, Jalan Duyong, Kampung Jambatan Duyong, 75460 Melaka. Tel: 06-2672 202 / 2689 633 Fax: 06-2680 373 Email: smcwsb@hotmail.my
Factory: Lot 564 & PT 3689, Mukim Cheng, 75250 Melaka. H/P: 012-611 0204 / 016-662 8513 Email: smixconc@hotmail.my

SUPER SIZE BOX CULVERTS WITH DRY WEATHER FLOW



Super Size Box Culverts with Dry Weather Flow

NOMINAL SIZE	COMMON DIMENSIONS					U-SECTION WITH DWF		
b x h (mm)	A (mm)	B (mm)	b (mm)	h (mm)	L (mm)	H2 (mm)	C (mm)	D (mm)
3300 x 1500	252	3700	3300	1500	200	2165	225	1075
3300 x 1800	252	3700	3300	1800	200	2465	225	1075
3300 x 2100	252	3700	3300	2100	200	2765	225	1075
3300 x 2400	252	3700	3300	2400	200	3065	225	1075
3300 x 2700	252	3700	3300	2700	200	3365	225	1075
3300 x 3000	252	3700	3300	3000	200	3665	225	1075
3600 x 1800	252	4000	3600	1800	200	2465	225	1075
3600 x 2100	252	4000	3600	2100	200	2765	225	1075
3600 x 2400	252	4000	3600	2400	200	3065	225	1075
3600 x 2700	252	4000	3600	2700	200	3365	225	1075
3600 x 3000	252	4000	3600	3000	200	3665	225	1075
3600 x 3300	252	4000	3600	3300	200	3965	225	1075
3600 x 3600	252	4000	3600	3600	200	4265	225	1075

*Concrete Grade - 40N/mm²

*Standard Length - 1m

*Specifications are subject to change without prior notice.



坚合灰料有限公司
SOLID-MIX CEMENT WORKS SDN. BHD. (817035-T)

坚合灰料工业(马)有限公司
S-MIX CONCRETE INDUSTRIES (M) SDN. BHD. (572101-V)

Office: 26, Jalan Duyong, Kampung Jambatan Duyong, 75460 Melaka. Tel: 06-2672 202 / 2689 633 Fax: 06-2680 373 Email: smcwsb@hotmail.my
Factory: Lot 564 & PT 3689, Mukim Cheng, 75250 Melaka. H/P: 012-611 0204 / 016-662 8513 Email: smixconc@hotmail.my