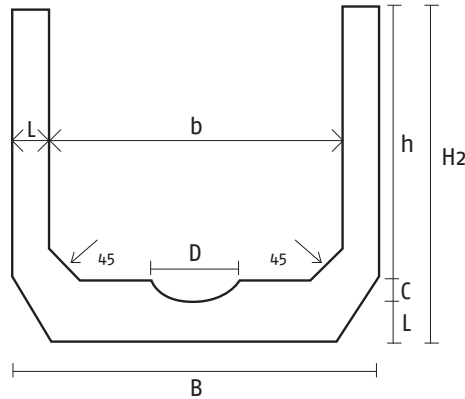


SUPER SIZE U-DRAINS WITH DRY WEATHER FLOW



Super Size U-Drains with Dry Weather Flow

NOMINAL SIZE	COMMON DIMENSIONS				U-DRAIN WITH DWF		
	b x h (mm)	B (mm)	b (mm)	h (mm)	L (mm)	H ₂ (mm)	C (mm)
2100 X 1200	2460	2100	1200	180	1605	225	1075
2100 X 1500	2460	2100	1500	180	1905	225	1075
2100 X 1800	2460	2100	1800	180	2205	225	1075
2100 X 2100	2460	2100	2100	180	2505	225	1075
2400 X 1200	2760	2400	1200	180	1605	225	1075
2400 X 1500	2760	2400	1500	180	1905	225	1075
2400 X 1800	2760	2400	1800	180	2205	225	1075
2400 X 2100	2760	2400	2100	180	2505	225	1075
2400 X 2400	2760	2400	2400	180	2805	225	1075
2700 X 1500	3060	2700	1500	180	1905	225	1075
2700 X 1800	3060	2700	1800	180	2205	225	1075
2700 X 2100	3060	2700	2100	180	2505	225	1075
2700 X 2400	3060	2700	2400	180	2805	225	1075
2700 X 2700	3060	2700	2700	180	3105	225	1075

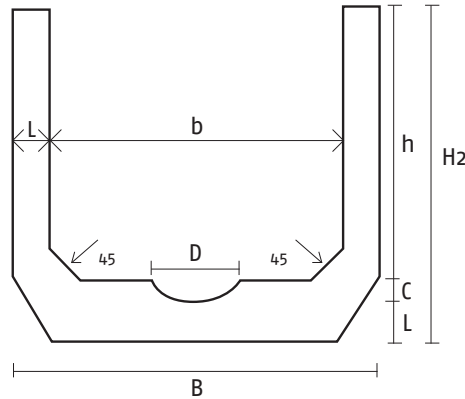
*Concrete Grade - 30N/mm²

S-Mix 'U' Shape Open Drains varies in size from 300mm width x 300mm height to 3600mm width x 3600mm height.
S-Mix Reinforced Concrete Open Drain incorporates a dry weather flow section.

Standard Length - 1m

*Specifications are subject to change without prior notice.

SUPER SIZE U-DRAINS WITH DRY WEATHER FLOW



Super Size U-Drains with Dry Weather Flow

NOMINAL SIZE	COMMON DIMENSIONS				U-DRAIN WITH DWF		
	b x h (mm)	B (mm)	b (mm)	h (mm)	L (mm)	H ₂ (mm)	C (mm)
3000 X 1500	3360	3000	1500	180	1905	225	1075
3000 X 1800	3360	3000	1800	180	2205	225	1075
3000 X 2100	3360	3000	2100	180	2505	225	1075
3000 X 2400	3360	3000	2400	180	2805	225	1075
3000 X 2700	3360	3000	2700	180	3105	225	1075
3000 X 3000	3360	3000	3000	180	3405	225	1075
3300 X 1500	3660	3300	1500	180	1905	225	1075
3300 X 1800	3660	3300	1800	180	2205	225	1075
3300 X 2100	3660	3300	2100	180	2505	225	1075
3300 X 2400	3660	3300	2400	180	2805	225	1075
3300 X 2700	3660	3300	2700	180	3105	225	1075
3300 X 3000	3660	3300	3000	180	3405	225	1075
3300 X 3300	3660	3300	3300	180	3705	225	1075

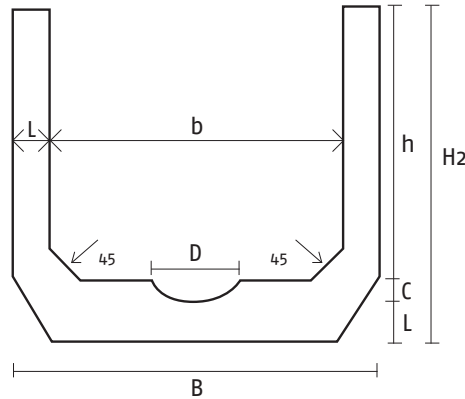
*Concrete Grade - 30N/mm²

S-Mix 'U' Shape Open Drains varies in size from 300mm width x 300mm height to 3600mm width x 3600mm height.
S-Mix Reinforced Concrete Open Drain incorporates a dry weather flow section.

Standard Length - 1m

*Specifications are subject to change without prior notice.

SUPER SIZE U-DRAINS WITH DRY WEATHER FLOW



Super Size U-Drains with Dry Weather Flow

NOMINAL SIZE	COMMON DIMENSIONS				U-DRAIN WITH DWF		
	b x h (mm)	B (mm)	b (mm)	h (mm)	L (mm)	H ₂ (mm)	C (mm)
3600 x 1800	3960	3600	1800	180	2205	225	1075
3600 x 2100	3960	3600	2100	180	2505	225	1075
3600 x 2400	3960	3600	2400	180	2805	225	1075
3600 x 2700	3960	3600	2700	180	3105	225	1075
3600 x 3000	3960	3600	3000	180	3405	225	1075
3600 x 3300	3960	3600	3300	180	3705	225	1075
3600 x 3600	3960	3600	3600	180	4005	225	1075

*Concrete Grade - 30N/mm²

S-Mix 'U' Shape Open Drains varies in size from 300mm width x 300mm height to 3600mm width x 3600mm height.

S-Mix Reinforced Concrete Open Drain incorporates a dry weather flow section.

Standard Length - 1m

*Specifications are subject to change without prior notice.