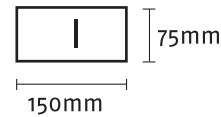
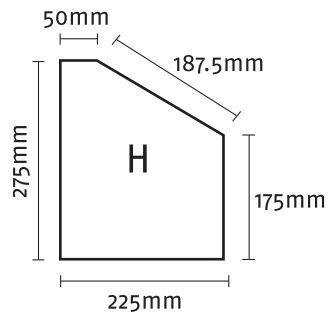
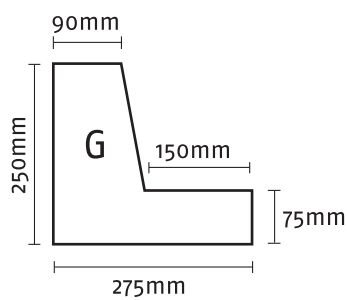
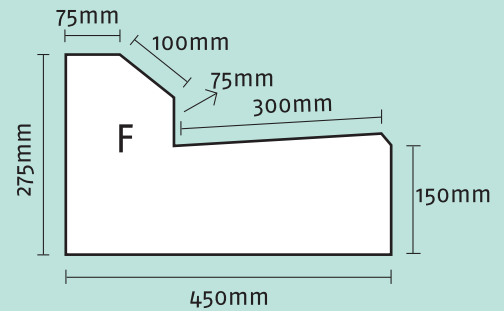
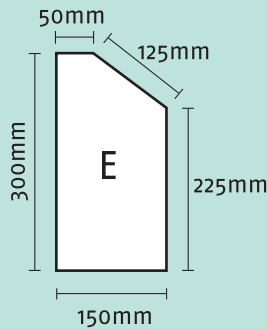
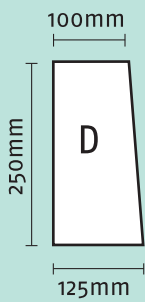
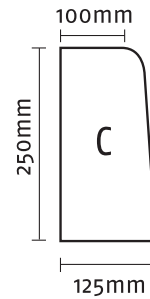
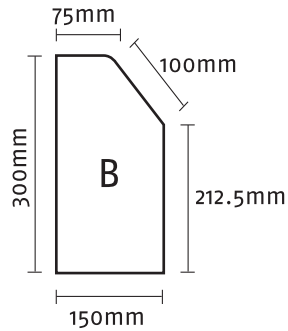
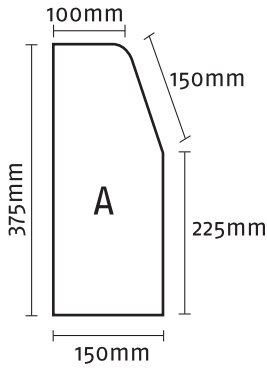


# PRECAST CONCRETE ROAD KERBS



\*Concrete Grade - 20N/mm<sup>2</sup>

Solid-Mix Precast Concrete Kerbs are manufactured in 600mm lengths.

Precast Concrete Kerbs with outlet are also available upon request.

\*Specifications are subject to change without prior notice.